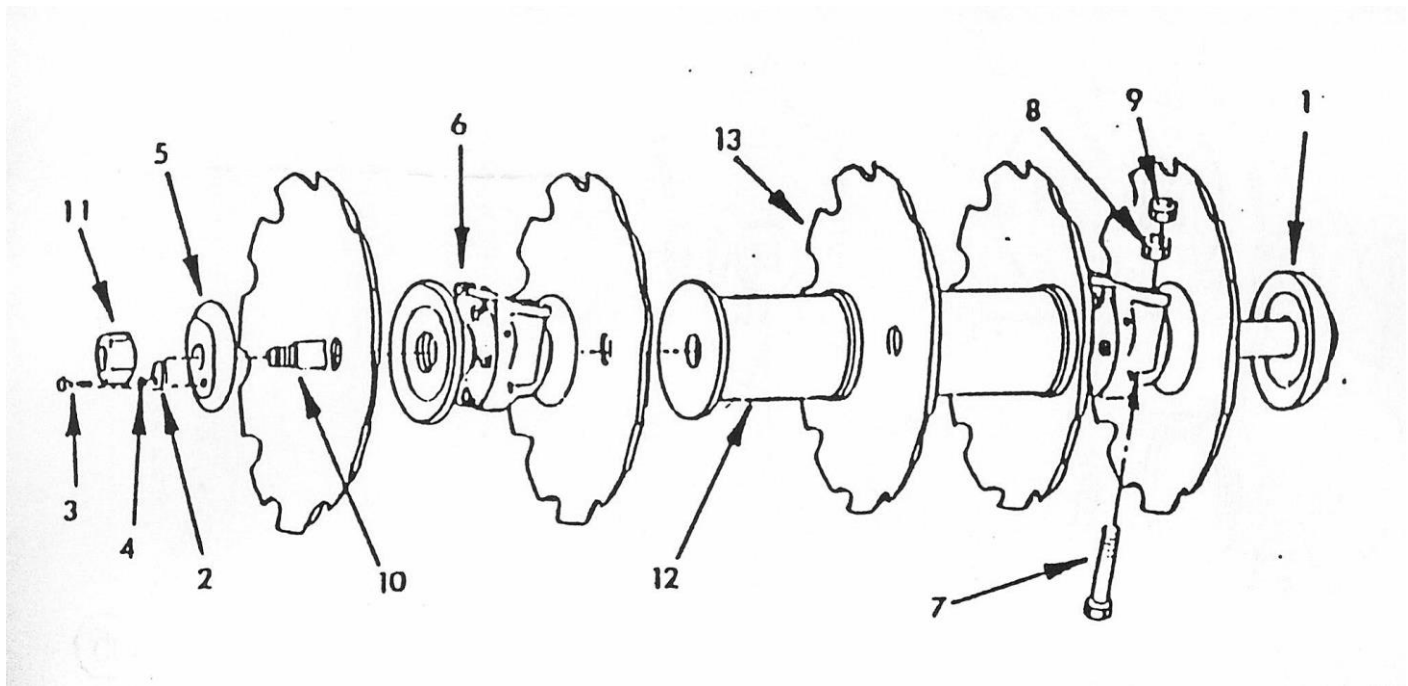


Rome Type Gang Assembly

9-1/2" and 11" Spacing, 1-5/8" Axle



| Ref. Number | O&D Part Number | Description |
|-------------|-----------------|---------------------------------|
| 1 | OD4C60B | BUMPER WASHER |
| 2 | ODNL163A | NUT LOCK |
| 3 | ODB58X150 | 5/8" X 1-1/2" BOLT |
| 4 | ODLW58 | 5/8" LOCKWASHER |
| 5 | OD4C64A | AXLE WASHER |
| 6 | OD3C605B | BEARING ASSEMBLY 9-1/2" SPACING |
| 6A | OD3B605D | BEARING ASSEMBLY 11" SPACING |
| 7 | ODB878X6 | 7/8" X 6 1/2" GR. 5 BOLT |
| 8 | ODLW78 | 7/8" LOCKWASHER |
| 9 | ODNC78 | 7/8" GR. 5 HEX NUT |
| 10 | R4B-0AX | 3-BLADE GANG AXLE |
| 10 | R4B-1AX | 4-BLADE GANG AXLE |
| 11 | OD4N150 | 1-1/2" AXLE NUT |
| 12 | ODBH67S | SPACER SPOOL |
| 13 | VARIES BY SIZE | DISC BLADE |
| Not Shown | OD2C66WP | BEARING WEAR PLATE |



FESCO®

Mathis Plow Company

A Division of Oliver & Dahlman Equipment Co., Inc

P.O. Box 308 • Hastings, FL 32145

Phone: 904-692-1326 • Fax: 904-692-2199

Website: www.mathisplow.com